

Remeha

en


Fuel oil/gas boilers

P 520



Installation and Service Manual

Declaration of conformity

The appliance complies with the standard model described in declaration of compliance . It is manufactured and distributed pursuant to the requirements of european directives. The original declaration of conformity is available from the manufacturer.

**DÉCLARATION DE CONFORMITÉ CE
EG - VERKLARING VAN OVEREENSTEMMING
EC - DECLARATION OF CONFORMITY
EG - KONFORMITÄTSEKTLÄRUNG**

Fabricant/Manufacturer/Hersteller/Fabrikant : REMEHA B.V
Adresse/Adress/Adress : Kanalzuid 110
Ville, pays Stad, Land/City, Country/Land, Ort : NL 7332 BD APELDOORN
Tel : +31 55 549 69 69
Fax : +31 55 549 64 96

déclare ici que les produit(s) suivant(s) : P 520
verklaart hiermede dat de toestel(len) 7, 8, 9, 10, 11, 12, 13, 14, 15, 16, 17, 18, 19,
20, 21, 22, 23, 24, 25 éléments

this is to declare that the following product(s)
erklärt hiermit das die Produk(te)

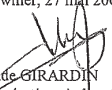
Mise en circulation par : voir fin de notice

répond/répondent aux directives CEE suivantes:
voldoet/voldoen aan de bepalingen van de onderstaande EEG-richtlijnen:
is/are in conformity with the following EEC-directives:
den Bestimmungen der nachfolgenden EG-Richtlinien entspricht/entsprechen:

CEE-Directive:	92/42/CEE	normes appliquées, toegepaste normen:
EEG-Richtlijn:	92/42/EEG	tested and examined to the following norms:
EEC-Directive:	92/42/EEC	verwendete Normen:
EG-Richtlinie:	92/42/EWG	EN 303.2(1999), EN 304(1993)
	90/396/CEE	EN 303.1 / EN 303.2 / EN 304
	90/396/EEG	
	90/396/EEC	
	90/396/EWG	
	73/23/CEE	DIN EN 50165(2001) EN 50165 (1997+A1:2001)
	73/23/EEG	DIN EN 60335-1(2003), EN 60335-1(2002)
	73/23/EEC	
	73/23/EWG	
	89/336/CEE	EN 55014-1(2000+A1:2001)
	89/336/EEG	EN 55014-2(1997+A1:2001)
	89/336/EEC	EN 61000-3-2(2000),
	89/336/EWG	EN 61000-3-3(1995+A1:2001) EN55022 classe B (1998+A1 :2000)
	97/23/CEE	(art.3 section 3)
	97/23/EEG	(art. 3, lid 3)
	97/23/EEC	(article 3, sub 3)
	97/23/EWG	(Art. 3, Absatz 3)



Mertzwiller, 27 mai 2008


Jean-Claude GIRARDIN
Directeur des opérations industrielles
Recherche et développement

C001878


Contents


1	Safety instructions	4
1.1	General safety instructions	4
1.2	Recommendations	5
1.3	Liabilities	5
2	About this manual	6
2.1	Symbols used in the manual	6
2.2	Abbreviations	6
2.3	Homologations	6
3	Description	7
3.1	Technical specifications	7
3.2	Main dimensions	8
4	Installing the boiler	10
4.1	Boiler location	10
4.2	Ventilation	11
5	Mounting	12
6	Hydraulic connections	12
6.1	Dimensional information required	12
6.2	Important recommendations for connecting the boiler to the heating circuit	13
6.3	Filling the system	14
6.4	Sludge removal	14
7	Chimney connection	15
7.1	Flue size	15
7.2	Chimney connection	15
8	Fuel-oil or gas connections	16
9	Electrical connections	16
10	Maintenance	16
10.1	Sweeping	16
10.2	Cleaning the casing material	19
10.3	Precautions required in the case of long boiler stops	19
10.4	Precautions required if the heating is stopped when there is a risk of freezing	19
11	Burner maintenance	19
12	System maintenance	19
12.1	Water level	19
12.2	Draining	19
13	Spare parts	20

1 Safety instructions


Danger


This appliance can be used by children aged from 8 years and above and persons with reduced physical, sensory or mental capabilities or lack of experience and knowledge if they have been given supervision or instruction concerning use of the appliance in a safe way and understand the hazards involved. Children shall not play with the appliance. Cleaning and user maintenance shall not be made by children without supervision.

 Any operation on the installation must be performed by a qualified technician respecting professional regulations and in accordance with this document.


 Before any work, switch off the mains supply to the appliance. Protect the installation against any unwanted restarts.


 For a proper operating of the boiler, follow carefully the instructions.


 The manufacturer is not liable for any improper use of the appliance or failure to maintain or install the unit correctly (the user shall take care to ensure that the system is installed by a qualified engineer).


 Work on electrical equipment must be carried out by a qualified professional in compliance with the prevailing regulations.

 Check that the appliance is properly set for the type of gas used.

 Keep to the polarity shown on the terminals: phase (L), neutral (N) and earth \perp .


 Check the seal on the gas and water pipe connections.


 We shall not accept any responsibility for any damage and disturbance arising from not following these instructions.


 Incorrect use or unauthorised modifications to the installation or the equipment itself invalidate any right to claim.

1.1 General safety instructions

1.1.1 Fire hazard


 Do not stock products of an inflammable nature close to the appliance.

 It is forbidden to store inflammable products and materials in the boiler room or close to the boiler, even temporarily.

 If you smell gas, do not use a naked flame, do not smoke, do not operate electrical contacts or switches (doorbell, lights, motor, lift, etc.):

1. Shut off the gas supply.
2. Open the windows.
3. Extinguish all flames.
4. Evacuate the premises.
5. Contact a qualified professional.
6. Inform the gas supplier.

1.1.2 Risk of intoxication

 Do not obstruct the air inlets in the room (even partially).

 If you smell flue gases

1. Switch the appliance off
2. Open the windows
3. Evacuate the premises
4. Contact a qualified professional


1.1.3 Risk of being burnt

 Depending on the settings of the appliance:

- The temperature of the flue gas conduits may exceed 60°C

- The temperature of the radiators may reach 95°C
- The temperature of the domestic hot water may reach 65°C

1.1.4 Risk of damage


 Do not stock chloride or fluoride compounds close to the appliance.


 Install the appliance in frost-free premises.


Do not neglect to service the appliance: Contact a qualified professional or take out a maintenance contract for the annual servicing of the appliance.

1.2 Recommendations


 For a proper operating of the boiler, follow carefully the instructions.


 Any intervention on the appliance and heating equipment must be carried out by a qualified engineer.


 The manufacturer is not liable for any improper use of the appliance or failure to maintain or install the unit correctly (the user shall take care to ensure that the system is installed by a qualified engineer).

 Work on electrical equipment must be carried out by a qualified professional in compliance with the prevailing regulations.

 Check that the appliance is properly set for the type of gas used.

 Keep to the polarity shown on the terminals: phase (L), neutral (N) and earth \perp .

 Check the seal on the gas and water pipe connections.

 We shall not accept any responsibility for any damage and disturbance arising from not following these instructions.

1.3 Liabilities

1.3.1 Manufacturer's liability

Our products are manufactured in compliance with the requirements of the various applicable European Directives. They are therefore delivered with **CE** marking and all relevant documentation. In the interest of customers, we are continuously endeavouring to make improvements in product quality. All the specifications stated in this document are therefore subject to change without notice.

Our liability as the manufacturer may not be invoked in the following cases:

- Failure to abide by the instructions on installing the appliance
- Failure to abide by the instructions on using the appliance
- Faulty or insufficient maintenance of the appliance

1.3.2 Installer's liability

The installer is responsible for the installation and commissioning of the appliance. The installer is required to observe the following instructions:

- Read and follow the instructions given in the manuals provided with the appliance
- Install the appliance in accordance with the legislation and standards currently in force
- Perform the initial start up and carry out any checks necessary
- Explain the installation to the user
- If a maintenance is necessary, warn the user of the obligation to check the appliance and maintain it in good working order
- Give all the instruction manuals to the user

2 About this manual

2.1 Symbols used in the manual



Caution danger

Risk of injury and damage to equipment. Attention must be paid to the warnings on safety of persons and equipment.



Reference

Refer to another manual or other pages in this instruction manual.



Specific information

Information must be kept in mind to maintain comfort.

2.2 Abbreviations

- ▶ **DHW:** Domestic hot water.
- ▶ **PPS:** Polypropylene hardly inflammable.
- ▶ **3CE:** Collective conduit for sealed boiler
- Hi:** Lower heating value LHV (Nett)
- Hs:** Higher heating value HHV (Gross)

2.3 Homologations

This product will be marketed in the following European Union member states:

NL - BE - ES - GB - HU - SE

with a gas or oil-burner of the associated category.

2.3.1 Directive 97/23/EC

Gas and oil boilers with a maximum operating temperature of 110°C and hot water tanks with a maximum operating pressure of 10 bar pertain to article 3.3 of the directive, and therefore, cannot be CE-marked to certify compliance with the directive 97/23 EC.

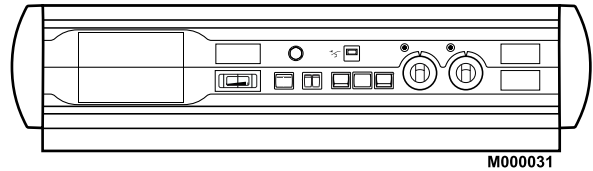
The boilers and hot water tanks are designed and manufactured in accordance with the sound engineering practice, as requested in article 3.3 of the directive 97/23/EC, it is certified by compliance with the directives 90/396/EC, 92/42/EC, 2006/95/EC and 2004/108/EC.

3 Description

The boilers of the P 520 range are pressurised hot water boilers designed for connecting to a flue pipe which require a separate automatic fuel-oil or gas burner.

The useful power of P 520 boilers is between 754 and 1450 kW.

Boiler with control panel, which may be fitted with an optional Rematic 2945 C3K control unit for heating only or heating and domestic hot water production.



3.1 Technical specifications

Maximum operating pressure: 6 bar

Boiler thermostat setting: 30 to 90 °C

Safety thermostat setting: 110 °C

Boiler		P 520-13	P 520-15	P 520-17	P 520-19	P 520-21	P 520-23	P 520-25
Useful output	kW	696 to 754	812 to 870	928 to 986	1044 to 1102	1160 to 1218	1276 to 1334	1400 to 1450
Power input	kW	763 to 831	897 to 967	1022 to 1093	1146 to 1216	1265 to 1336	1393 to 1464	1532 to 1595
Number of sections		13	15	17	19	21	23	25
Water content	l	617	693	769	845	943	1019	1095
Water resistance	Δ T = 10K	57.6	77.6	30.2	41.4	53.6	64.8	78.4
	Δ T = 15K	25.8	34.7	13.5	18.5	24	29	35
	Δ T = 20K	14.4	19.4	7.6	10.4	13.4	16.2	19.6
Pressure in the furnace for nozzle pressure = 0	mbar	2.2	2.4	2.6	2.85	3.1	3.3	3.5
Flue gas temperature ^{(1) (3)}	K	<190	<190	<190	<190	<190	<190	<190
Mass flue gas flow rate ^{(1) (2)}	Fuel oil	1070	1220	1370	1520	1670	1820	1970
	Gas	1120	1280	1440	1590	1750	1910	2070
Combustion chamber	Inscribed diameter	614	614	614	614	614	614	614
	Equivalent diameter	694	694	694	694	694	694	694
	Depth	1372	1594	1816	2038	2300	2522	2744
	Volume	m ³	0.53	0.61	0.70	0.78	0.88	0.96
Maintenance consumption*	Δ T = 30K	%	0.08	0.07	0.07	0.07	0.06	0.06

*Maintenance consumption: total heat emission when the burner is off as a percentage of the nominal input power when the difference between the mean boiler temperature and the room temperature is 30 K.

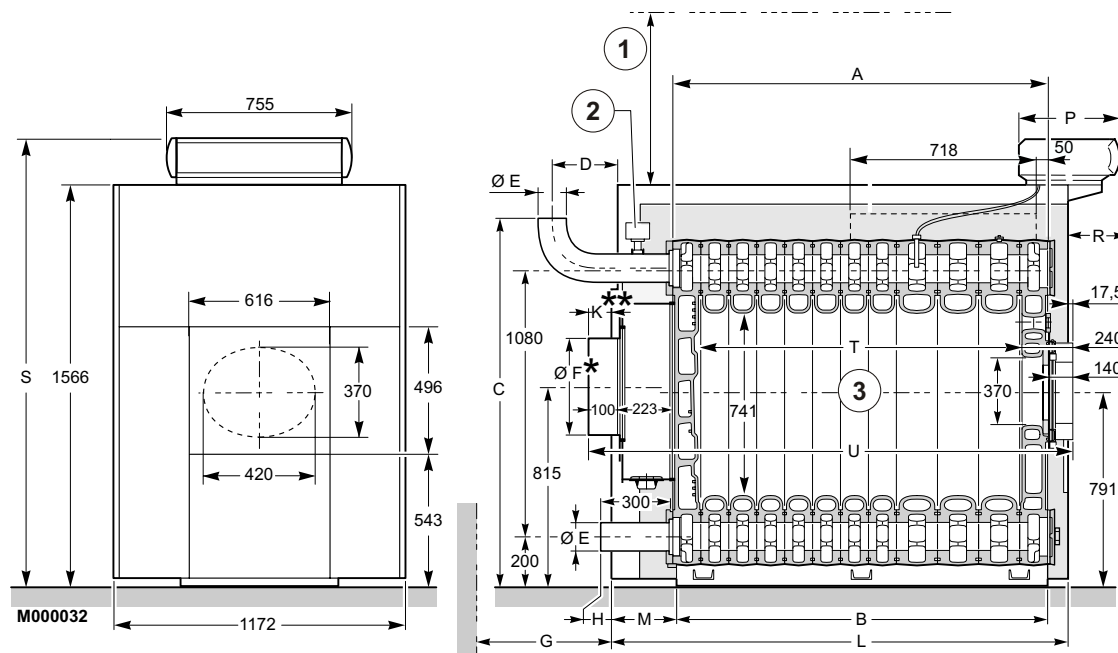
⁽¹⁾Nominal operation (top boiler power)

⁽²⁾CO₂ = 13.1 to 13.5% with fuel oil and 9.5% with natural gas.

⁽³⁾Boiler temperature: 80 °C

Ambient temperature: 20 °C

3.2 Main dimensions



- ① Minimum height for sweeping = 850
- ② Flow sensor
- ③ Burner centre line

Boiler P 520		P 520-13	P 520-15	P 520-17	P 520-19	P 520-21	P 520-23	P 520-25
A (mm)		1563	1785	2007	2229	2491	2713	2935
B (mm)		1522	1744	1966	2188	2450	2672	2894
C (mm)		1488	1488	1488	1504	1504	1504	1504
D (mm)		256	188	210	257	209	231	253
Ø E (weld) (mm)		139.7	139.7	139.7	159	159	159	159
Ø F (mm)		350	400	400	400	*	*	*
G (mm)		-	150	370	370	650	980	980
H (mm)		37	-31	-9	13	-35	-13	9
K** (mm)		49	-19	3	25	-23	-1	21
L (mm)		1955	2245	2445	2645	2955	3155	3355
M (mm)		275	324	321	299	324	324	303
P (mm)	K	355	355	355	355	355	355	355
R (mm)	K	175	175	175	175	175	175	175
S (mm)	K	1760	1760	1760	1760	1760	1760	1760
T (mm)		1372	1594	1816	2038	2300	2522	2744
U (mm)		2021.5	2243.5	2465.5	2687.5	2949.5	3171.5	3393.5

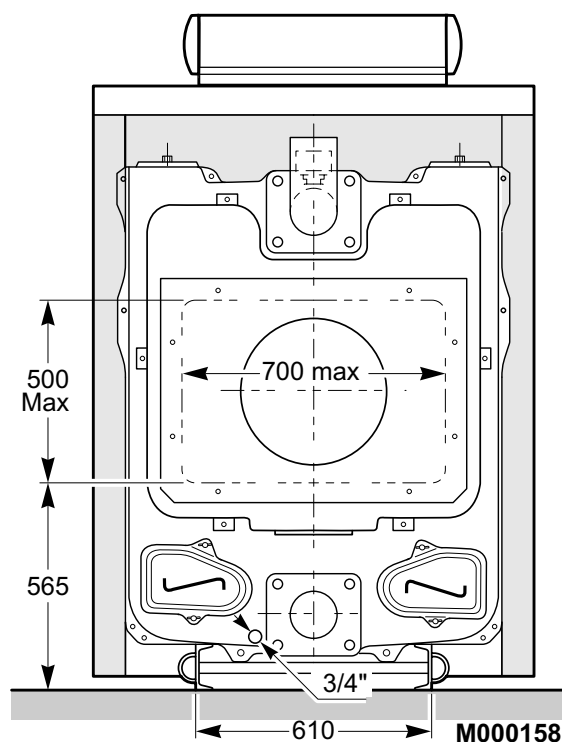
* Plain plate, requires cutting. Maximum cut-out 500 x 700.

** Dimension representing the end of the 100 mm long chimney connection.

G = Length required for clearing the water distributing tube.

Note: with models P 520-21, P 520-23 and P 520-25, a plain plate which must be cut out is supplied without the 100 mm chimney connection.

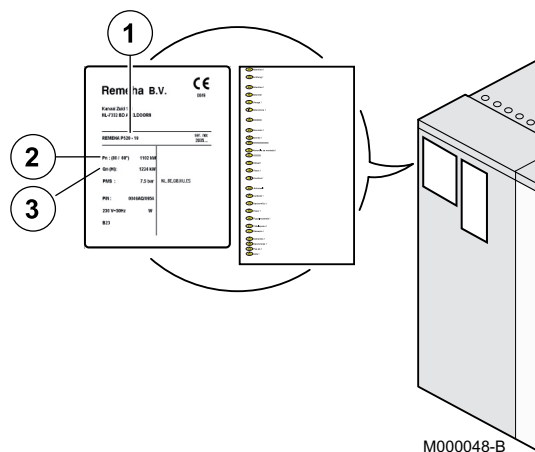
■ Main dimensions - Rear view P 520



3.2.1 Type plate

The rating plate fixed on the side of the boiler during installation is used to identify the boiler correctly and also provides the main specifications of the boiler.

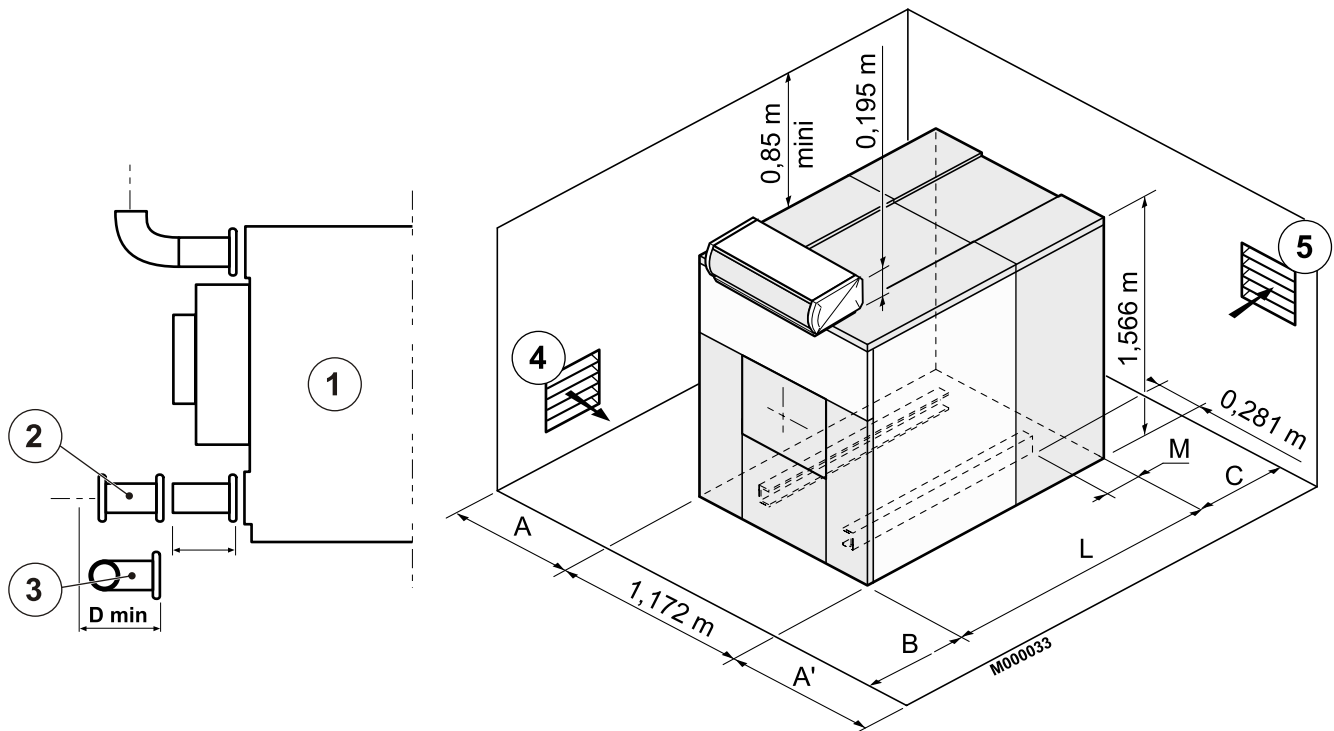
- ① Boiler type
- ② Nominal output
- ③ Nominal input



4 Installing the boiler

4.1 Boiler location

For the assembly and because of their design, P 520 boilers require no special base. Their closed furnace system means that the floor need not have refractory properties. All you have to ensure is that the floor can support the weight of the boiler when it is fitted for operation. If the boiler location is not determined precisely, leave enough space around the boiler to facilitate monitoring and maintenance operations.



- ① Boiler body *
- ② Straight connection (not supplied) *
- * 1) In order to facilitate subsequent work on the boiler (replacing the water distributing tube etc.) use a flanged connection from the boiler to the system, making sure you comply with minimum clearance dimension D.
- ③ Angled connection (not supplied)
- ④ Air inlet
- ⑤ Air outlet

If **A = 1.2 m** (door opening side), **A' = 0.5 m**

If **A = 0.5 m**, **A' = 1.2 m** (door opening side): adapt the dimensions on the basis of the dimensions of the burner when the door is open.

B = 1.5 m: adapt the dimensions on the basis of the dimensions of the burner.

	P 520-13	P 520-15	P 520-17	P 520-19	P 520-21	P 520-23	P 520-25
L	1955	2245	2445	2645	2955	3155	3355
M	275	324	321	299	324	324	303
C min.	300	436	656	656	936	1266	1266
D min.	-	136	356	356	636	966	966

4.2 Ventilation

The location of air inlets in relation to the high ventilation openings shall ensure that the air is renewed in the entire volume of the boiler room.

It is in any case imperative to conform to the local regulations in force.

Caution:

In order to avoid damage to the boiler, it is necessary to prevent the contamination of combustion air by chlorine and/or fluoride compounds, which are particularly corrosive.

These compounds are present, for example, in aerosol sprays, paints, solvents, cleaning products, washing products, detergents, glues, snow clearing salts, etc.

Therefore:

- Do not pull in air evacuated from premises using such products: hairdressing salons, dry cleaners, industrial premises (solvents), premises containing refrigeration systems (risk of refrigerant leakage), etc.
- Do not stock such products close to the boilers.

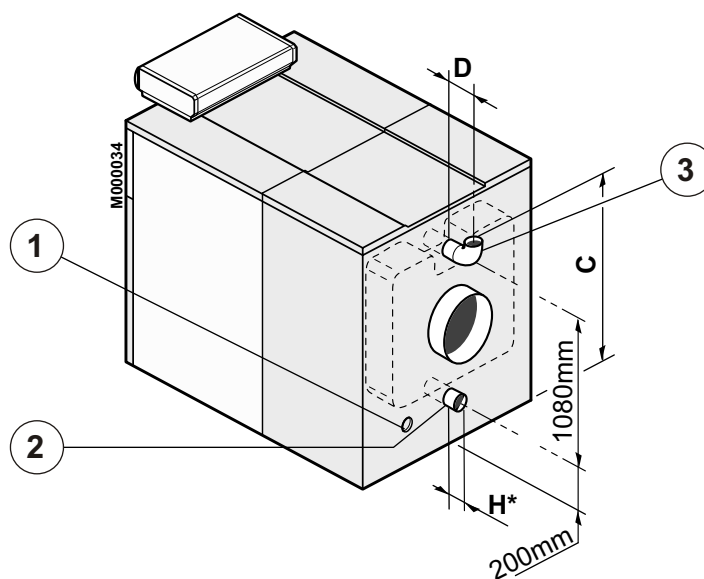
If the boiler and/or peripheral equipment are corroded by such chloride or fluoride compounds, the contractual guarantee cannot be applied.

5 Mounting

For mounting instructions, see installation instructions.

6 Hydraulic connections

6.1 Dimensional information required



- ① Draining outlet 3/4"
- ② Heating return:
 - 13 to 17 sections: 139.7 - 5"
 - 18 to 25 sections: 159 - 6"
 weld.
- ③ Heating flow:
 - 13 to 17 sections: 139.7 - 5"
 - 18 to 25 sections: 159 - 6"
 weld.

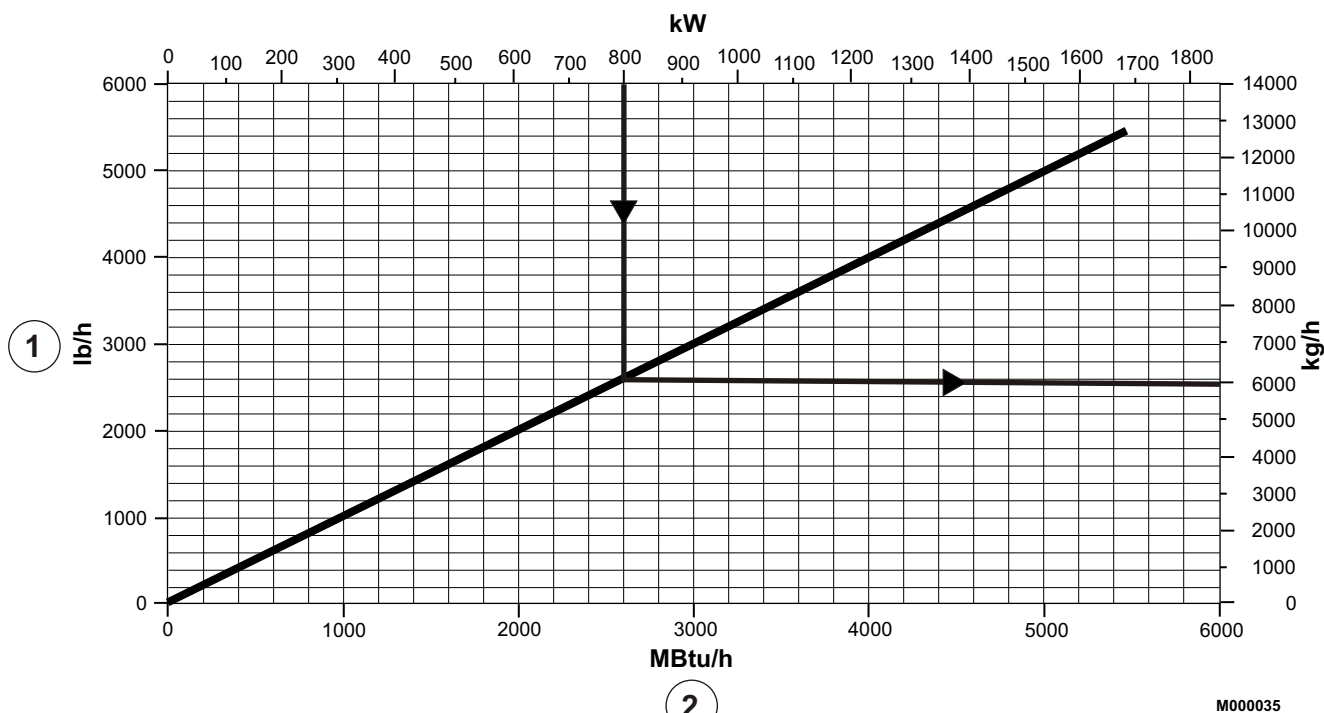
* dimension without connection (see figure on chapter Boiler location, straight or angled connection).

	P 520-13	P 520-15	P 520-17	P 520-19	P 520-21	P 520-23	P 520-25
C (mm)	1488	1488	1488	1504	1504	1504	1504
D (mm)	256	188	210	257	209	231	253
H (mm)	37	-31	-9	13	-35	-13	9

6.2 Important recommendations for connecting the boiler to the heating circuit

Installation must be carried out in accordance with the prevailing regulations, the codes of practice and the recommendations in these instructions.

► Minimum safety valve flowrate as a function of maximum boiler nominal output:



- ① Minimum relieving capacity
- ② Maximum gross boiler output

Example

Maximum boiler nominal output is 800 kW.

Minimum safety valve flowrate must be 6000 Kg/h

► Water flow in the boiler :

The water flow in the boiler when the burner is operating must correspond with the following formulae:

- Nominal water flow $Q_n = 0.86 P_n / 20$
- Minimum flow $Q_{min} = 0.86 P_n / 45$ (this flow also corresponds with the minimum recycle flow in the boiler)
- Maximum water flow $Q_{max} = 0.86 P_n / 5$

Q_n = flow in m^3/h

P_n = Nominal output (full boiler output) in kW.

► Operation in cascade

After stopping the burner:

- Timeout required before the order to close a 2 way valve: 3 min
- Switch a possible shunt pump (located between the boiler and a butterfly valve) off via the end of run contact of the butterfly valve

► Operation with 2-stage burner

- The water temperature in the boiler is maintained at 50°C or more; The first stage must be set to a minimum of 30% of the nominal stage
- Operation at modulated low temperature (minimum outlet temperature: 40°C); The first stage must be set to a minimum of 50% of the nominal stage

► Operation with modulating burner

- The water temperature in the boiler is maintained at 50°C or more: The burner can modulate down to 30% of the nominal stage
- Operation at modulated low temperature (minimum outlet temperature: 40°C); The burner can modulate down to 50% of the nominal stage

6.3 Filling the system

Filling shall be performed with a low flow rate from a low point in the boiler room in order to ensure that all the air in the boiler is bled from the high point of the system.

All the pumps must be stopped before filling (included shunt pump(s)).

⚠ VERY IMPORTANT: Instructions for starting up the boiler for the first time after the system is fully or partly drained: If all the air is not bled naturally to an expansion vessel which opens out onto the air, the system must include manual bleeder valves, in addition to automatic bleeder valves with the capability to bleed the system by themselves when it is operating, the manual bleeder valves are used to bleed all the high points of the system and to make sure that the filled system is free of air before the burner is turned on.

⚠ Do not add cold water suddenly into the boiler when it is hot.

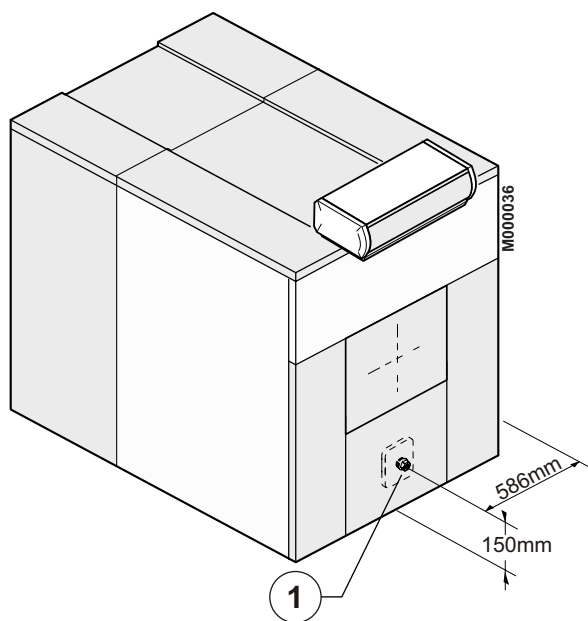
6.4 Sludge removal

A tapped Ø 2" hole with a plug has been provided on the bottom of the front of the boiler.. Fit a 1/4 turn valve (not supplied) on the opening to remove the sludge.

Sludge removal leads to the draining of large quantities of water, so remember to refill the system after the operation.

Note:

never replace a boiler in an existing system without carefully rinsing the system first. Install a sludge decanting pot on the return pipe, very close to the boiler.



① 2" tapped sludge removal hole

7 Chimney connection

The high-performance features of modern boilers and their use in specific conditions as a result of the advance in burner technology (e.g. first-stage or low modulation range operation) lead to very low flue gas temperatures (<160°C).

For this reason:

- Use flue gas pipes designed to enable the flow of condensates which may result from such operating modes in order to prevent damage to the chimney.
- Install a draining tee at the bottom of the chimney.

The use of a draught moderator is recommended as well.

7.1 Flue size

Refer to applicable regulations while determining the size of the flue. Please note that P 520 boilers have pressurised and tight furnaces and that the pressure at the connection to the chimney must not exceed 0 mbar, unless special sealing precautions have been taken, for instance in order to connect a static condenser/regenerator.

7.2 Chimney connection

The connection shall be removable, and offer minimum load losses, i.e. it must be as short as possible with no sudden change in section.

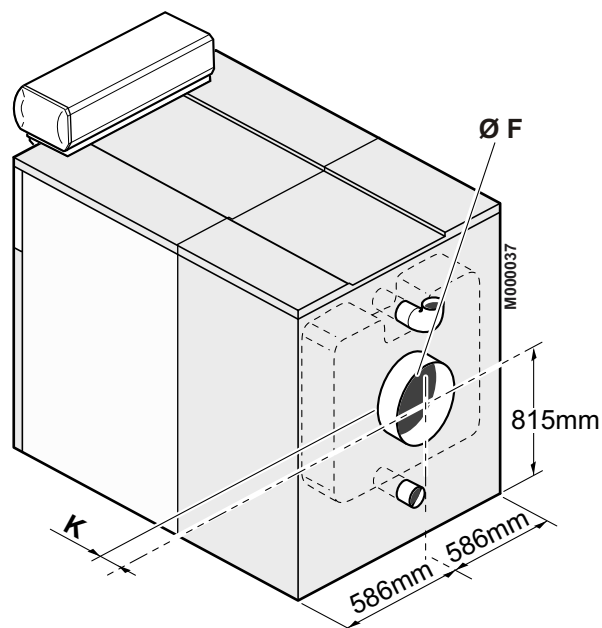
Its diameter shall always be at least equal to that of the boiler outlet, i.e.:

Ø 300 mm for 13 sections

Ø 400 mm for 14 to 20 sections

Boilers with 21 to 25 sections are supplied with a plain plate. The maximum cut-out dimensions are 500 x 700 mm.

Fit a measuring point (Ø 10 mm hole) on the flue, in order to adjust the burner (combustion check).



	P 520-13	P 520-15	P 520-17	P 520-19	P 520-21	P 520-23	P 520-25
Ø F	350	400	400	400	Plain plate	Plain plate	Plain plate
K	49	-19	3	25	-23*	-1*	21*

*Dimension representing the end of the 100 mm long chimney connection.

Note: with models P 520-21, P 520-23 and P 520-25, a plain plate which must be cut out is supplied without the 100 mm chimney connection.


8 Fuel-oil or gas connections

Refer to the instructions supplied with the burner.

9 Electrical connections

Refer to the connection instructions supplied with the control panel..

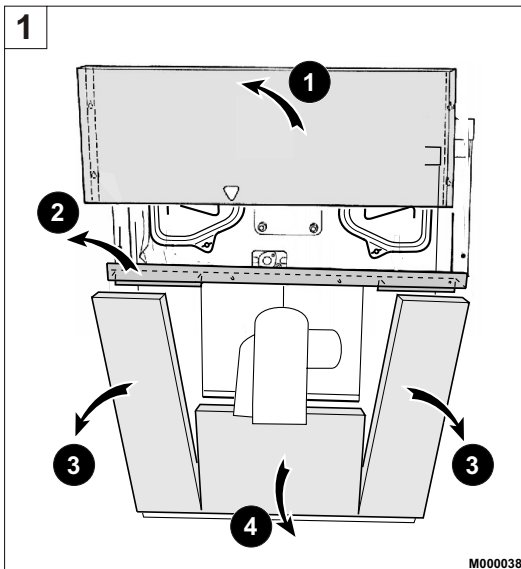
10 Maintenance

 The operations described below shall only be performed with the boiler and power supply off.

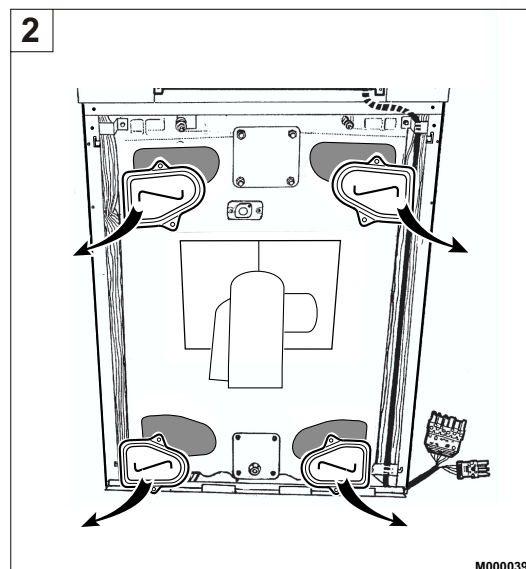
10.1 Sweeping

The boiler will only operate efficiently if the exchange surfaces are kept clean.

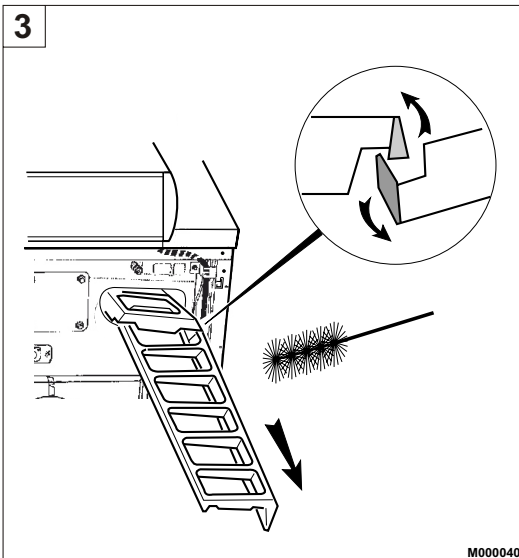
The boiler should be cleaned as soon as required and as the chimney, **at least once a year or more**, depending upon applicable regulations and specific needs.



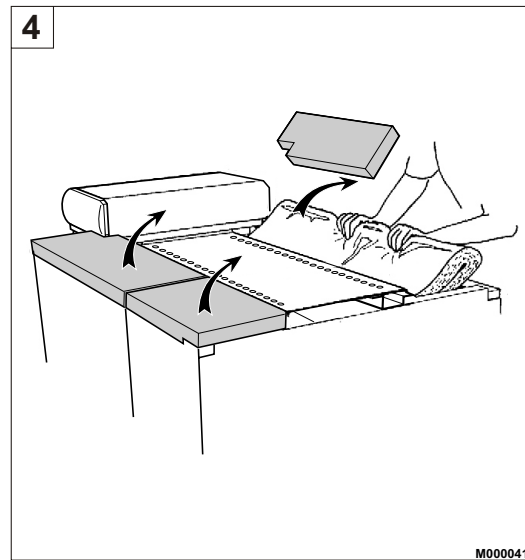
- Switch off the boiler electrical power supply.
- Remove the upper front panel.
- Remove the retaining upper front crosspiece and then the lower left and right-hand front panels.
- Remove the lower front panel.



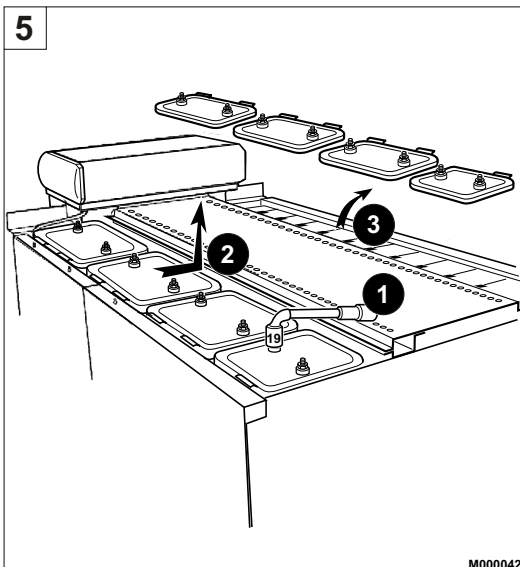
- Unfasten the wing nuts and remove the 4 sweeping doors.



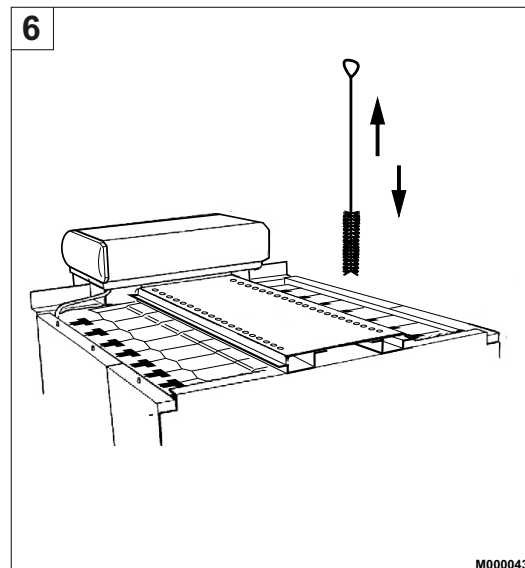
- Remove the baffle plates from the upper flue ways.
- Carefully sweep the flue ways with the brush supplied for that purpose.
- Brush the baffle plates as well.
- If possible, use a vacuum cleaner.



- Remove the left and right-hand casing covers.
- Remove the top insulating material.



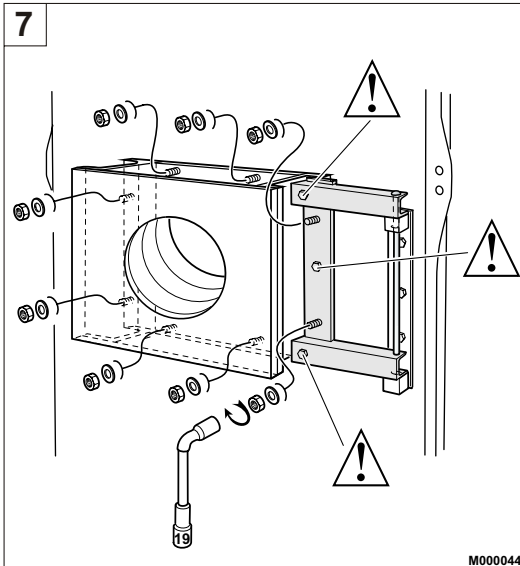
- Unfasten the nuts up to the stop.
- Push in the handles of the sweeping covers.
- Remove the sweeping covers.



- Brush the vertical plates.
- Put back the sweeping covers, insulating material and casing covers by reversing the procedure above.

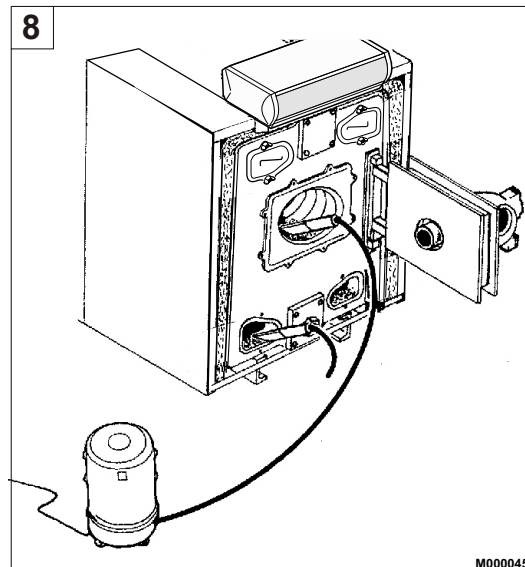
Note: Chemical sweeping is recommended for such boilers.

- Put the baffle plates back in place. Interlock them with each other while fitting them into the flue ways.
- Close the upper sweeping doors.

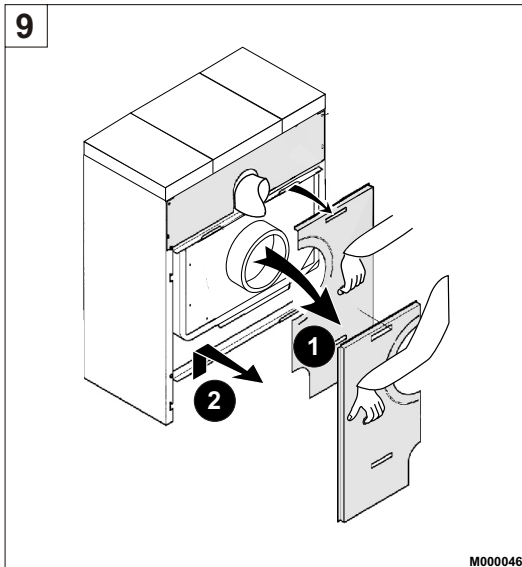


- Unscrew the 8 closing nuts and open the furnace door.

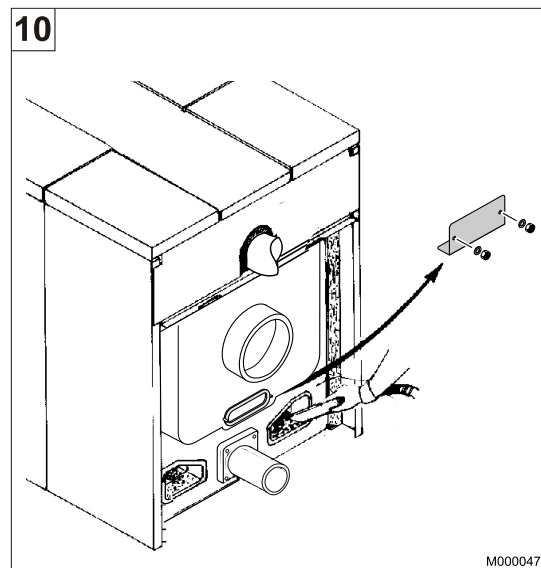
⚠ These 3 screws must not be unfastened in any event.



- Brush out the inside of the furnace.
- Clean the soot accumulated in the furnace and lower flue ways with a vacuum cleaner.
- Close the lower sweeping doors.
- Put back the front casing panels by reversing the removal procedure.



- Remove the lower rear panels.
- Remove the lower rear crosspiece.
- Remove the lower insulating material on the rear.



- Unfasten the wing nuts and remove the lower left and right-hand sweeping doors.
- Remove any soot deposit with a scraper or a vacuum cleaner.
- Open the lower sweeping cover of the flue gas box (2 H 10 nuts + Ø 10 washers).
- Remove the soot.
- Put back the sweeping cover and doors.
- Put back the lower insulating material, the crosspiece and panels by reversing the removal procedure.

10.2 Cleaning the casing material

Use a soapy solution and a sponge only. Rinse with clean water and dry with chamois leather or a soft cloth.

10.3 Precautions required in the case of long boiler stops

(one or several years)

The boiler and the chimney must be swept carefully. Close all the doors of the boiler to prevent air from circulating inside the boiler.

We advise removing the pipe which connects the boiler to the chimney and to close off the nozzle with a cover.

10.4 Precautions required if the heating is stopped when there is a risk of freezing

We recommend the use of a correctly dosed antifreeze agent to prevent the heating circuit from freezing. If this cannot be done, drain the system completely.

11 Burner maintenance

Refer to the instructions supplied with the burner.

12 System maintenance

12.1 Water level

Regularly check the level of water in the system and top up if required, taking care that cold water is not added suddenly into the boiler when it is hot.

This operation should be required only a few times in each heating season, with very low quantities of water; otherwise, look for the leak and repair it.

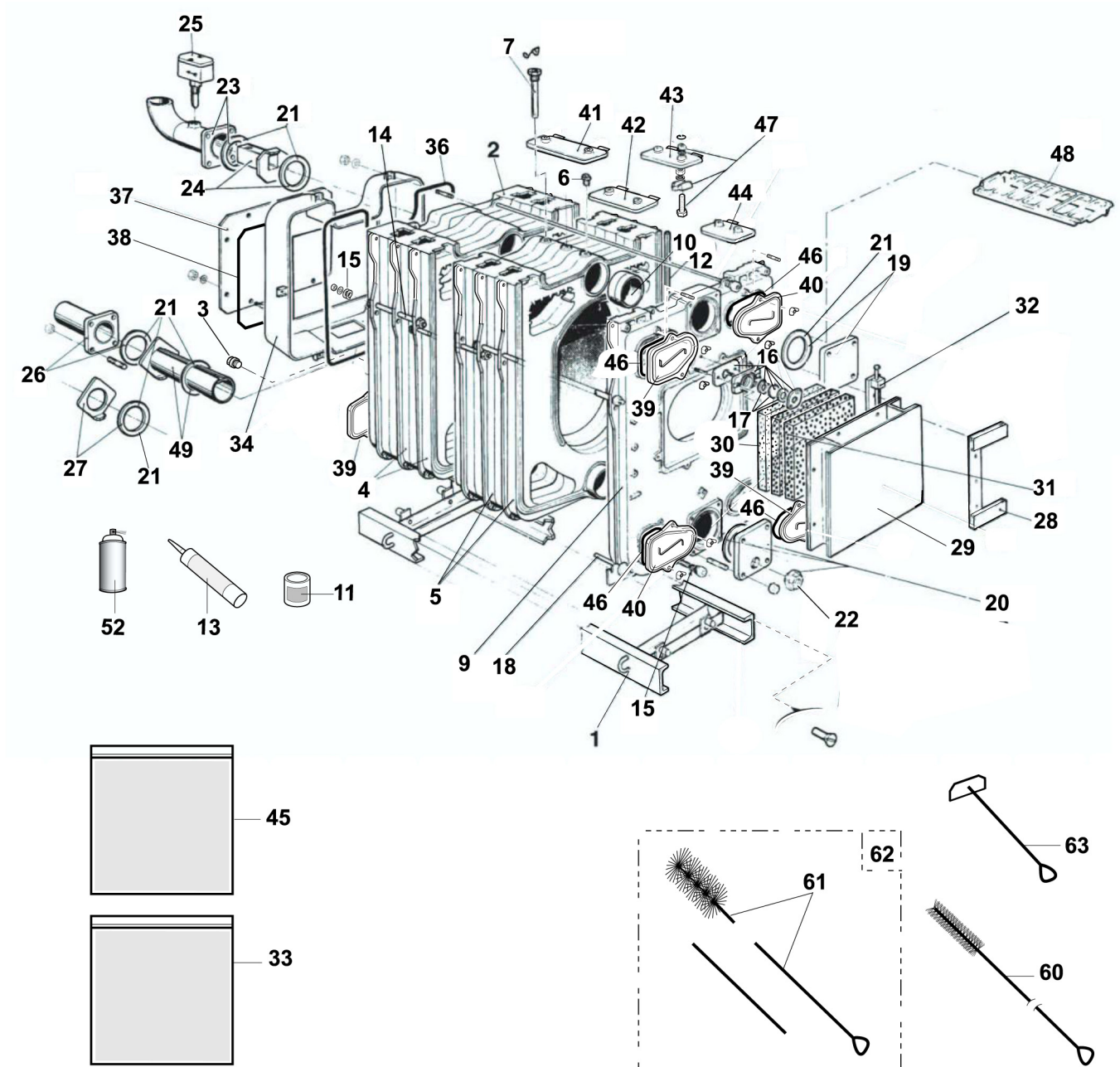
12.2 Draining

We advise you against draining the system unless it is absolutely necessary.

13 Spare parts

i To order a spare part, quote the reference number next to the part required.

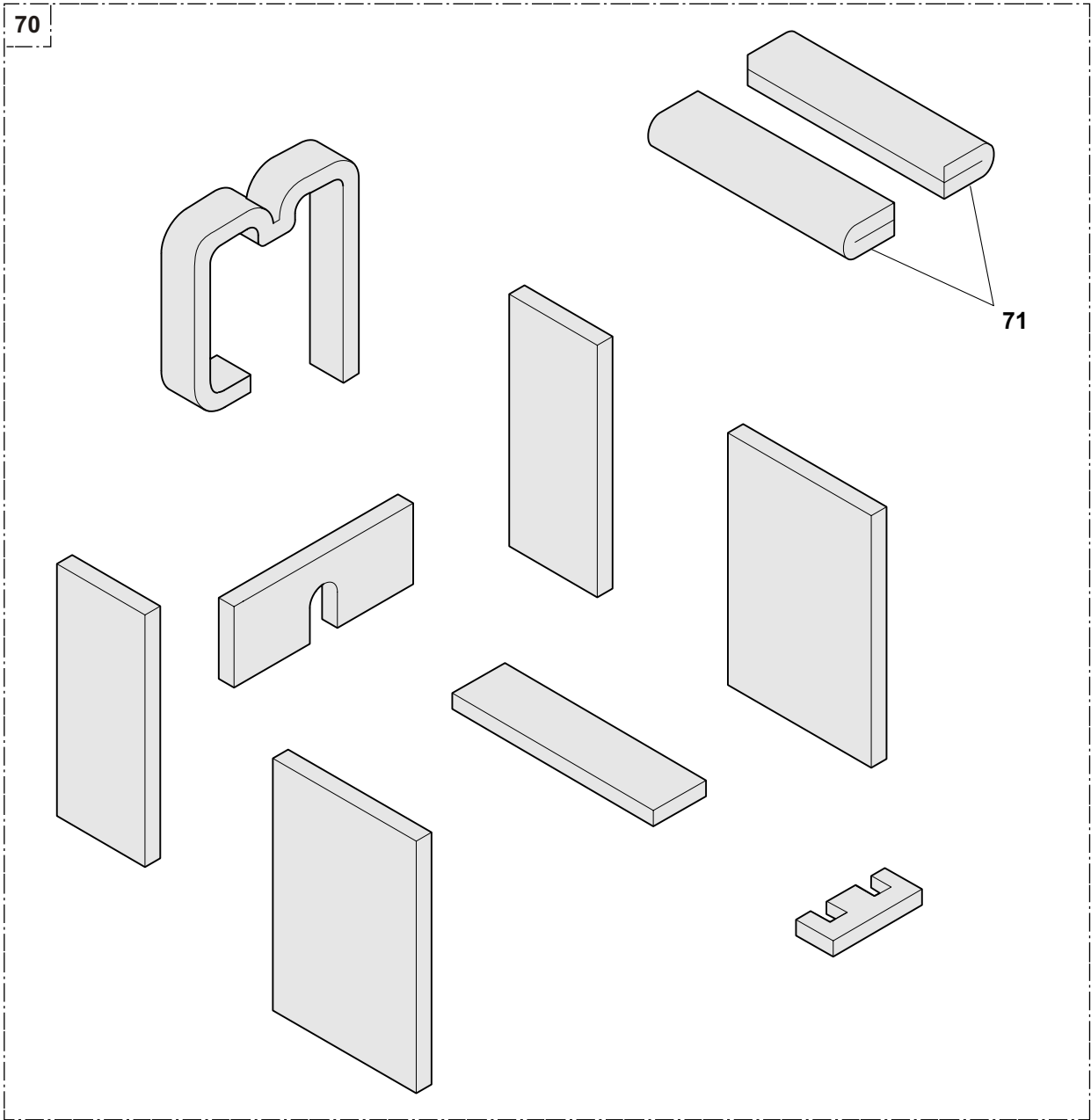
Boiler body



C001002

Insulation

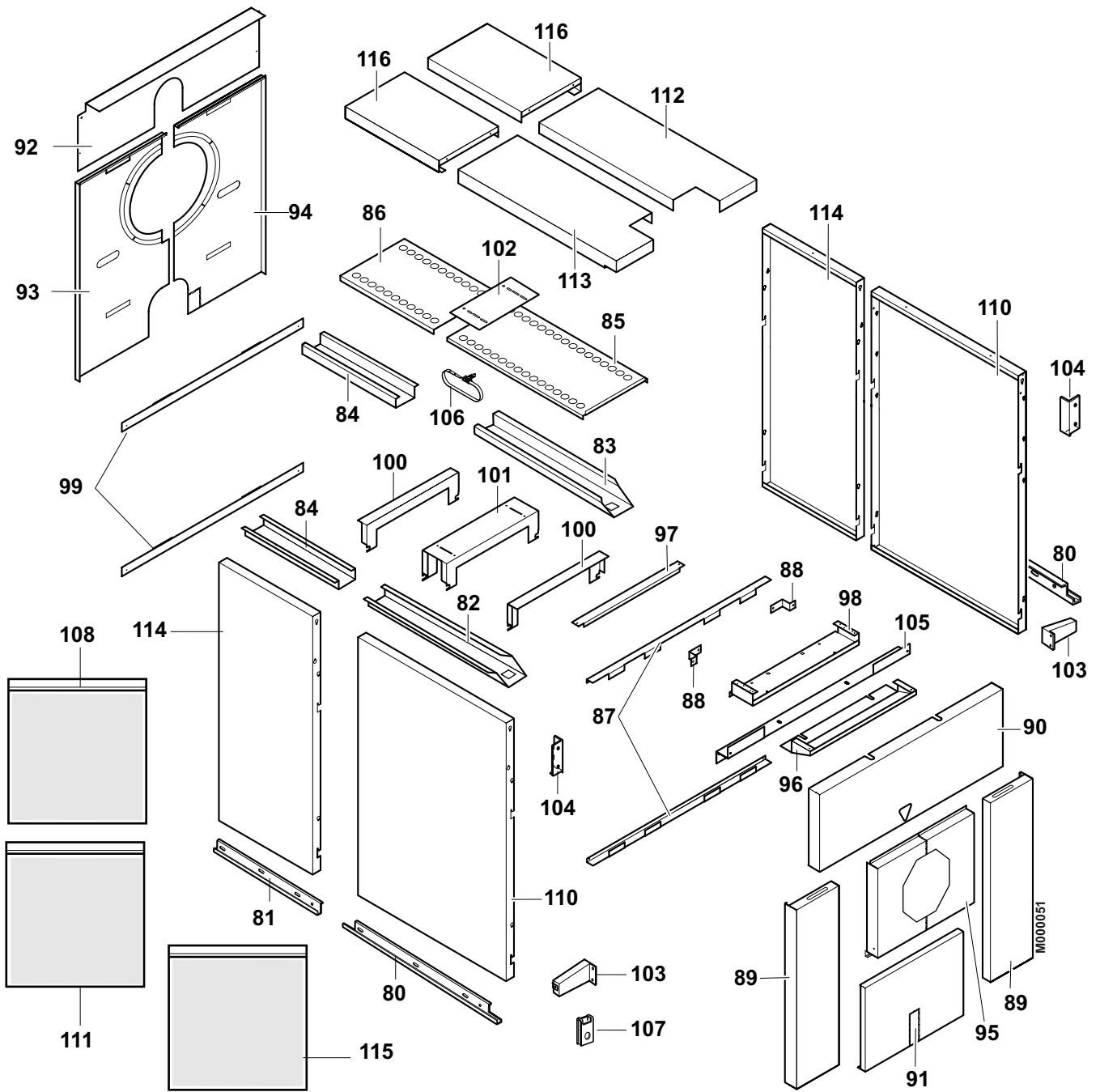
70



71

M000050

Casing



Markers	Code no.	Description
		Boiler body + Accessories
		Base frame
1	300006596	Complete frame 13 sections
1	300006597	Complete frame 15 sections
1	300006598	Complete frame 17 sections
1	300006599	Complete frame 19 sections
1	300006610	Complete frame 21 sections
1	300006611	Complete frame 23 sections
1	300006612	Complete frame 25 sections
		Boiler body + Accessories
2	8555-5505	Complete rear section
3	9495-0140	plug no. 290 3/4"
4	8259-8948	Normal intermediate section
5	8259-8949	Special intermediate section
6	9495-0110	plug no. 290 1/2"
7	8500-0027	1/2" sensor tube
9	8259-8950	Complete front section
10	8006-0212	Painted nipple Ø 148.62
11	9430-5027	Putty for nipple 300 gr
12	9508-6032	Silicone-coated fibreglass seal
13	9428-5095	Silicone filler tube 310 ml
14	8015-8927	Assembly rod Ø 12 - 300 mm
14	8015-8928	Assembly rod Ø 12 - 385 mm
14	8015-8929	Assembly rod Ø 12 - 420 mm
14	8015-8930	Assembly rod Ø 12 - 520 mm
15	9754-0120	Spring for assembly rod
16	8015-8902	Complete indicator with frame
17	8015-7700	Sight glass + Gaskets
18	8015-8913	Assembly rod Ø 14 - 1571 mm 13 sections
18	8015-8915	Assembly rod Ø 14 - 1796 mm 15 sections
18	8015-8917	Assembly rod Ø 14 - 2021 mm 17 sections
18	8015-8919	Assembly rod Ø 14 - 2246 mm 19 sections
18	8015-8921	Assembly rod Ø 14 - 2511 mm 21 sections
18	8015-8923	Assembly rod Ø 14 - 2736 mm 23 sections
18	8015-8925	Assembly rod Ø 14 - 2960 mm 25 sections
19	8006-8906	Plain square flange + Gasket
20	8006-8907	Square flange with tapped hole + Gasket
21	9501-4155	Gasket 222 x 170 x 4
22	8112-0028	Plug 2"
23	8008-8904	Flange with outlet piece + Gasket 13 to 17 sections
23	8008-8905	Flange with outlet piece + Gasket 19 to 25 sections
24	8008-8922	Nozzle + Gasket
26	8008-8908	Flange with return piece + Gasket 13 to 17 sections

Markers	Code no.	Description
26	8008-8909	Flange with return piece + Gasket 19 to 25 sections
27	8008-8924	Diaphragm + Gasket
28	8228-8905	Complete articulation of furnace plate
29	9757-0424	Plain furnace door
30	9755-0235	Furnace door guard
31	9755-0236	Furnace door insulation
		On demand
	9757-0425	Furnace door Ø 165
	9757-0426	Furnace door Ø 186
	9757-0427	Furnace door Ø 210
	9757-0428	Furnace door Ø 295
	9757-0429	Furnace door Ø 240
	9757-0433	Furnace plate Ø 290
	9757-0434	Furnace plate Ø 350
32	8008-8915	Furnace plate hinge
33	8555-8592	Bag of screws for furnace door
34	8555-5528	Flue gas outlet
36	9504-6115	Thermocord gasket Ø 15
37	8555-5508	connection plate Ø 400 + Gasket
37	8555-5506	connection plate Ø 300 + Gasket
37	8555-5507	connection plate Ø 350 + Gasket
37	8555-5509	Plain connection plate + Gasket
38	9508-6041	adhesive gasket 15 x 9
39	8555-5514	Left-hand sweeping door + Thermocord
40	8555-5541	Right-hand sweeping door + Thermocord
41	8555-5510	sweeping cover N1 + Thermocord
42	8555-5511	sweeping cover N2 + Thermocord
43	8555-5512	sweeping cover N3 + Thermocord
44	8555-5513	sweeping cover N4 + Thermocord
45	8555-8593	Bag of screws for sweeping door
46	9508-6032	Silicone-coated fibreglass seal
47	8555-5515	Complete lock
48	8259-0010	Upper baffle
49	8008-8910	Distributing tube + Gasket 15 sections
49	8008-8911	Distributing tube + Gasket 17 and 19 sections
49	8555-5502	Distributing tube + Gasket 21 sections
49	8555-5503	Distributing tube + Gasket 23 sections
49	8555-5504	Distributing tube + Gasket 25 sections
52	9434-5102	Retouching spray paint - anthracic grey
		Cleaning tools
60	9696-8026	Brush for plate
61	8013-8704	Metal brush + rod 1800 mm 13 and 15 sections
62	8015-8716	Metal brush +rod 1300 mm + extensions for 17 to 21 sections

Markers	Code no.	Description
62	8015-8723	Metal brush + rod 1800 mm + extensions for 23 to 25 sections
63	9750-5103	scraper 1200 mm
63	9750-5106	scraper 1500 mm
63	9750-5108	scraper 1800 mm
		Insulation
		Insulating material for body
70	8555-5520	Complete insulating material for body 13 sections
70	8555-5521	Complete insulating material for body 15 sections
70	8555-5522	Complete insulating material for body 17 sections
70	8555-5523	Complete insulating material for body 19 sections
70	8555-5525	Complete insulating material for body 21 sections
70	8555-5526	Complete insulating material for body 23 sections
70	8555-5527	Complete insulating material for body 25 sections
		Insulating material for sweeping covers
71	8555-5533	Complete insulating material for sweeping covers 13 sections
71	8555-5534	Complete insulating material for sweeping covers 15 sections
71	8555-5535	Complete insulating material for sweeping covers 17 sections
71	8555-5536	Complete insulating material for sweeping covers 19 sections
71	8555-5538	Complete insulating material for sweeping covers 21 sections
71	8555-5539	Complete insulating material for sweeping covers 23 sections
71	8555-5540	Complete insulating material for sweeping covers 25 sections
		Casing
80	8555-8008	rail 1225 mm
80	8555-8009	rail 1365 mm
80	8555-8010	rail 1475 mm
80	8555-8011	rail 1565 mm
80	8555-8012	rail 1675 mm
80	8555-8013	rail 1765 mm
80	8555-8014	rail 1875 mm
80	8555-8015	rail 2025 mm
80	8555-8016	rail 2165 mm
80	8555-8017	rail 2275 mm
80	8555-8018	rail 2365 mm
81	8555-8021	supplementary rail 1246 mm
82	8555-8035	left-hand cable channel 1260 mm
82	8555-8036	left-hand cable channel 1400 mm
82	8555-8037	left-hand cable channel 1510 mm
82	8555-8038	left-hand cable channel 1600 mm
82	8555-8039	left-hand cable channel 1710 mm

Markers	Code no.	Description
82	8555-8040	left-hand cable channel 1800 mm
82	8555-8041	left-hand cable channel 1910 mm
82	8555-8042	left-hand cable channel 2060 mm
82	8555-8043	left-hand cable channel 2200 mm
82	8555-8044	left-hand cable channel 2310 mm
82	8555-8045	left-hand cable channel 2400 mm
83	8555-8048	right-hand cable channel 1260 mm
83	8555-8049	right-hand cable channel 1400 mm
83	8555-8050	right-hand cable channel 1510 mm
83	8555-8051	right-hand cable channel 1600 mm
83	8555-8052	right-hand cable channel 1710 mm
83	8555-8053	right-hand cable channel 1800 mm
83	8555-8054	right-hand cable channel 1910 mm
83	8555-8055	right-hand cable channel 2060 mm
83	8555-8056	right-hand cable channel 2200 mm
83	8555-8057	right-hand cable channel 2310 mm
83	8555-8058	right-hand cable channel 2400 mm
84	8555-8080	additional cable channel 1196 mm
85	8555-8066	central upper plate 1131 mm
85	8555-8067	central upper plate 1271 mm
85	8555-8068	central upper plate 1381 mm
85	8555-8069	central upper plate 1471 mm
85	8555-8070	central upper plate 1581 mm
85	8555-8071	central upper plate 1671 mm
85	8555-8072	central upper plate 1781 mm
85	8555-8073	central upper plate 1931 mm
85	8555-8074	central upper plate 2071 mm
85	8555-8075	central upper plate 2181 mm
85	8555-8076	central upper plate 2271 mm
86	8555-8079	additional central plate 1196 mm
		Common parts
87	8259-8014	Lower front crosspiece
88	8555-8515	Fastening bracket for front side pane
89	8259-8818	Complete lower front side panel
90	200002992	Complete upper front panel
91	8555-8517	Complete lower front panel
92	8555-8518	Upper rear panel
93	8259-8021	Lower left-hand rear panel
94	8259-8022	Lower right-hand rear panel
95	8259-0518	Panel for furnace door
96	8555-8519	Control panel trim
97	8555-8520	Rear cover for standard control panel
98	8555-8521	Control panel bracket
99	8259-8055	Lower rear crosspiece
100	8555-8522	Upper crosspiece
101	8555-8526	Intermediate upper crosspiece

Markers	Code no.	Description
102	8555-8082	Joining central plate
103	8555-8523	Lower tab of rail
104	8555-8022	Upper bracket
105	8555-0526	Upper front crosspiece
106	9532-0780	Clamp
107	9775-8859	Rapid nut
108	8555-8525	Fasteners for common parts
Front side casing - before week 14 / 2008		
110	8555-8598	Front side panel - 800 mm
110	8555-8599	Front side panel - 940 mm
110	8555-8616	Front side panel - 1050 mm
Front side casing - after week 14 / 2008		
110	200007426	Front side panel - 800 mm
110	200007427	Front side panel - 940 mm
110	200007428	Front side panel - 1050 mm
111	8555-8514	Fasteners for front side panel
112	8555-8507	right-hand upper front plate for sweeping 800 mm
112	8555-8508	right-hand upper front plate for sweeping 940 mm
112	8555-8509	right-hand upper front plate for sweeping 1050 mm
112	8555-8510	left-hand upper front plate for sweeping 800 mm
113	8555-8511	left-hand upper front plate for sweeping 940 mm
113	8555-8512	left-hand upper front plate for sweeping 1050 mm
Rear side casing		
114	8555-8500	rear side panel 400 mm
114	8555-8501	rear side panel 600 mm
115	8555-8513	Fasteners for rear side panel
116	8555-8505	upper rear plate for sweeping 400 mm
116	8555-8506	upper rear plate for sweeping 600 mm
K - RC 6 control panel		
		Refer to the Spare Parts list in the panel instructions.

- NL Remeha B.V.**
Postbus 32
7300 AA APELDOORN
Tel: +31 55 5496969
Fax: +31 55 5496496
Internet: nl.remeha.com
E-mail: remeha@remeha.com
- B J.L. Mampaey BVBA**
Uitbreidingstraat 54
2600 ANTWERPEN
Tel: +32 3 2307106
Fax: +32 3 2301153
Internet: www.mampaey.be
E-mail: info@mampaey.be
- B Thema S.A.**
6, Avenue de l'expansion
4460 GRACE-HOLLOGNE
Tel: +32 4 2469575
Fax: +32 4 2469576
Internet: www.thema-sa.be
E-mail: info@thema-sa.be
- E Termibarna S.A.**
C. Zamora 55-59
08005 BARCELONA
Tel: +34 3 3000204
Fax: +34 3 3009558
- E D.A.C. S.A.**
Tomás A. Edison 29
Poligono Cogullada
50014 ZARAGOZA
Tel: +34 76 464076
Fax: +34 76 471311
Internet: www.dac.es
E-mail: dac@dac.es
- E Cuatrocesa S.A.**
c) Sor Angela de La Cruz, 10
- 1º Oficina C
28020 MADRID
Tel: +34 91 658 18 88
Fax: +34 91 658 30 77
- E Norte Comercial Organización S.A.**
Bereteage Bidea, 19
48180 LOIU (Vizcaya)
Tel: +34 94 471 03 33
Fax: +34 94 471 11 52
E-mail: nco@nco.es
- GB Remeha Commercial UK**
Part of the BDR THERMEA
Remeha House
Molly Millars Lane
RQ41 2QP Wokingham, Berks
After Sales Tel: 01189743076
Technical Enquires: 01189743067
Internet: www.remeha.co.uk
- H Marketbau - Remeha Kft.**
Gyár u. 2.
Ipari Park
2040 BUDAÖRS
Tel: +36 23 503 980
Fax: +36 23 503 981
Internet: www.remeha.hu
E-mail: remeha@remeha.hu
- IRL Euro Gas Ltd.**
Unit 38, Southern Cross Business Park
Boghall Road, Bray, Co
WICKLOW
Tel: +353 12868244
Fax: +353 12861729
Internet: www.eurogas.ie
E-mail: sales@eurogas.ie
- IT Revis S.r.l**
Via Trieste 4a
31025 Santa Lucia di Piave (TV)
Tel: +39 0438 701907
Fax: +39 02 36028583
Internet: www.re-vis.it
E-mail: info@re-vis.it

© Copyright

All technical and technological information contained in these technical instructions, as well as any drawings and technical descriptions supplied, remain our property and shall not be multiplied without our prior consent in writing.

Subject to alterations.

03/11/2015

